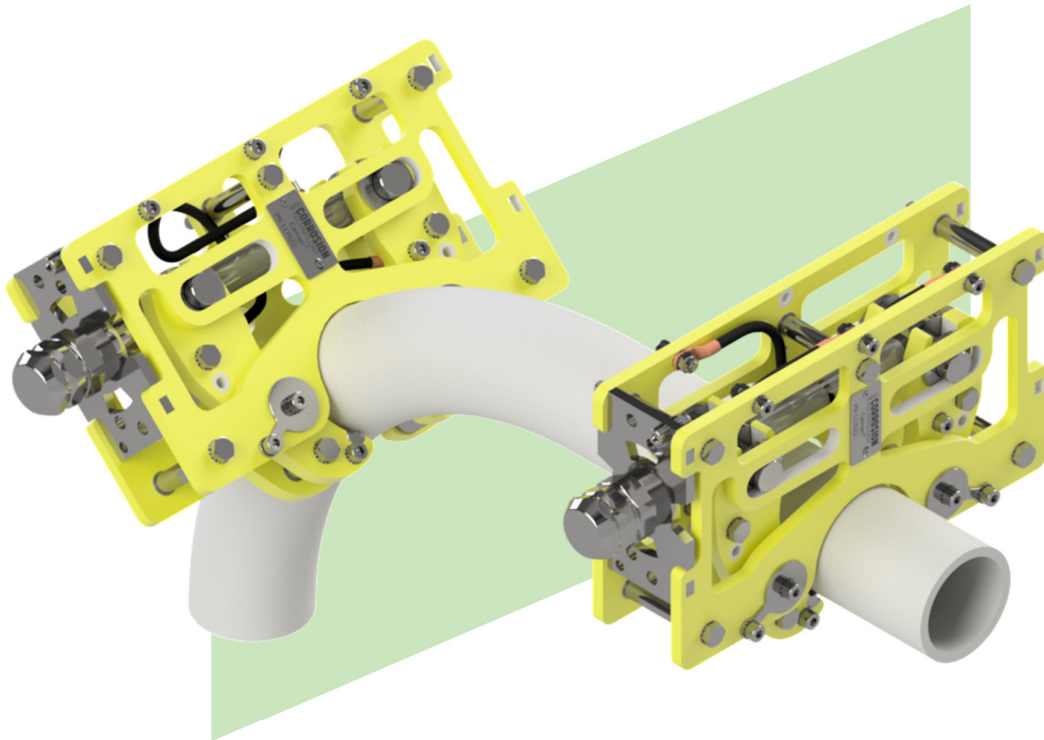
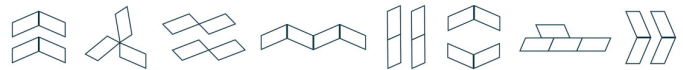


RETROFIT ANODE

CAIMAN[®] CLAMP



Caiman[®] Pipe Anode Clamp range is intended for mounting to pipes ranging from 2" up to 4" and to existing anode cores.



Intelligence built in

Caiman® Pipe Anode Clamp can utilize the existing standardized stand-off anode-cores on a structure.

The main benefits of choosing an Imenco Retrofit Anode Clamp are the ease of installation and flexible use. The clamp is guided into place by a ROV and tensioned with a torque tool to ensure a good mechanical and low resistance electrical connection.

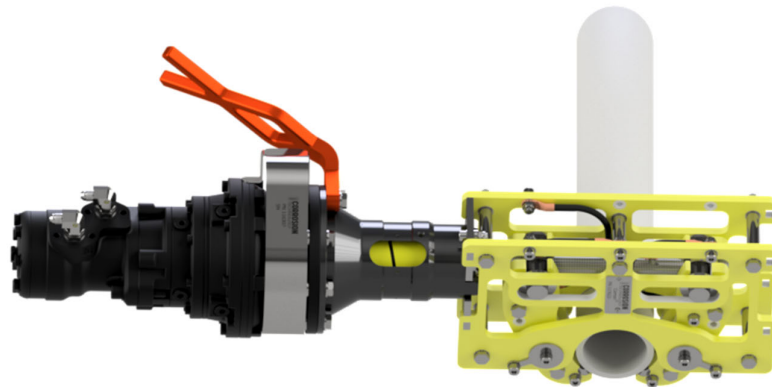
Stand-off anodes are often used on large structures. Instead of making large or special clamps for installation on items like jacket members, Caiman® Pipe Anode Clamp utilizes the existing stand-off anode cores. Slim form factor and low weight add to the Flexibility and robustness of the design. Anodes may be attached directly to the clamp, or by the bonding cable to an anode sled.

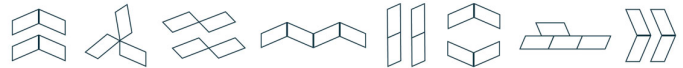
Features

- Can be connected to existing stand-off anodes
- Slim form factor
- Low weight
- Good mechanical connection
- Low resistance electrical connection

Advantages

- Ease of installation
- Flexibility and robustness in the design
- Anodes attached directly to clamp
- Connected to Anode Sled
- Attach anodes to existing anode cores on a subsea structure.



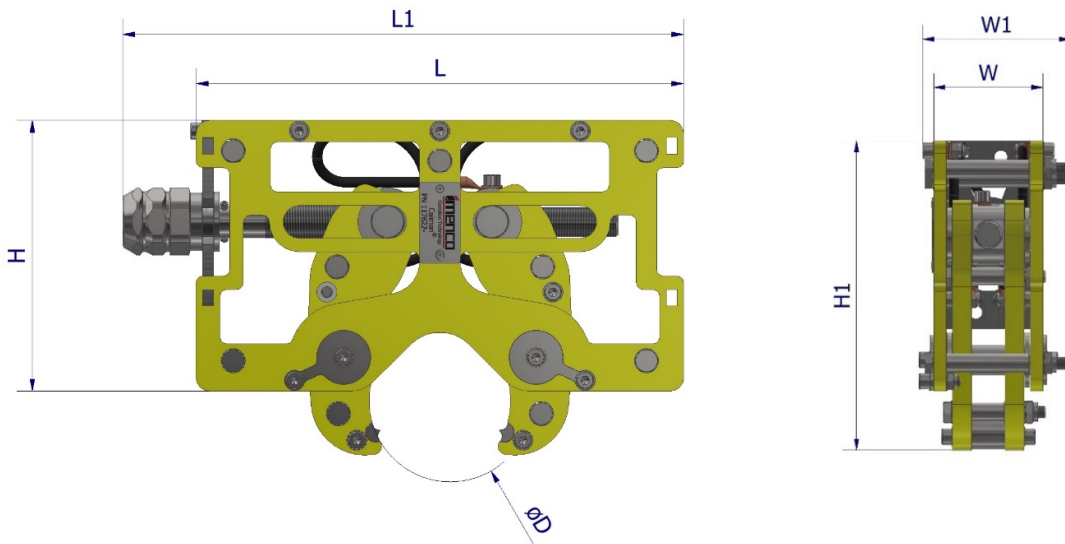


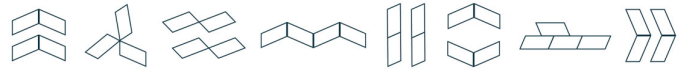
RETROFIT ANODE

CAIMAN[®] CLAMP

Some design examples of Caiman[®] Clamp.

Clamp Type	Pipe Size"	Clamp Dimensions (mm)							Weight
		L	H	W	øD	H1	W1	L1	
Caiman [®]	2"	360	200	87	60	248	121	414	16.3Kg
Caiman [®]	2.5"	360	200	87	73	248	121	414	16.4 kg
Caiman [®]	3"	360	200	87	89	248	121	414	16.2 Kg
Caiman [®]	3,5"	360	200	87	102	248	121	414	16.3 Kg
Caiman [®]	4"	360	200	87	114	248	121	414	16.1 Kg





The CAIMAN® can be delivered with an additional set of clamps, made for securing the assembly during installation when using large anodes. This provides extra safety against dropped objects and will help securing the complete assembly during final installation.

